

REF. DESIG.	LAST USED	NOT USED
A	A1	—
C	C6	—
J	J2	—
LP	LP2	—
M	M	—
R	R9	—

NOTES:

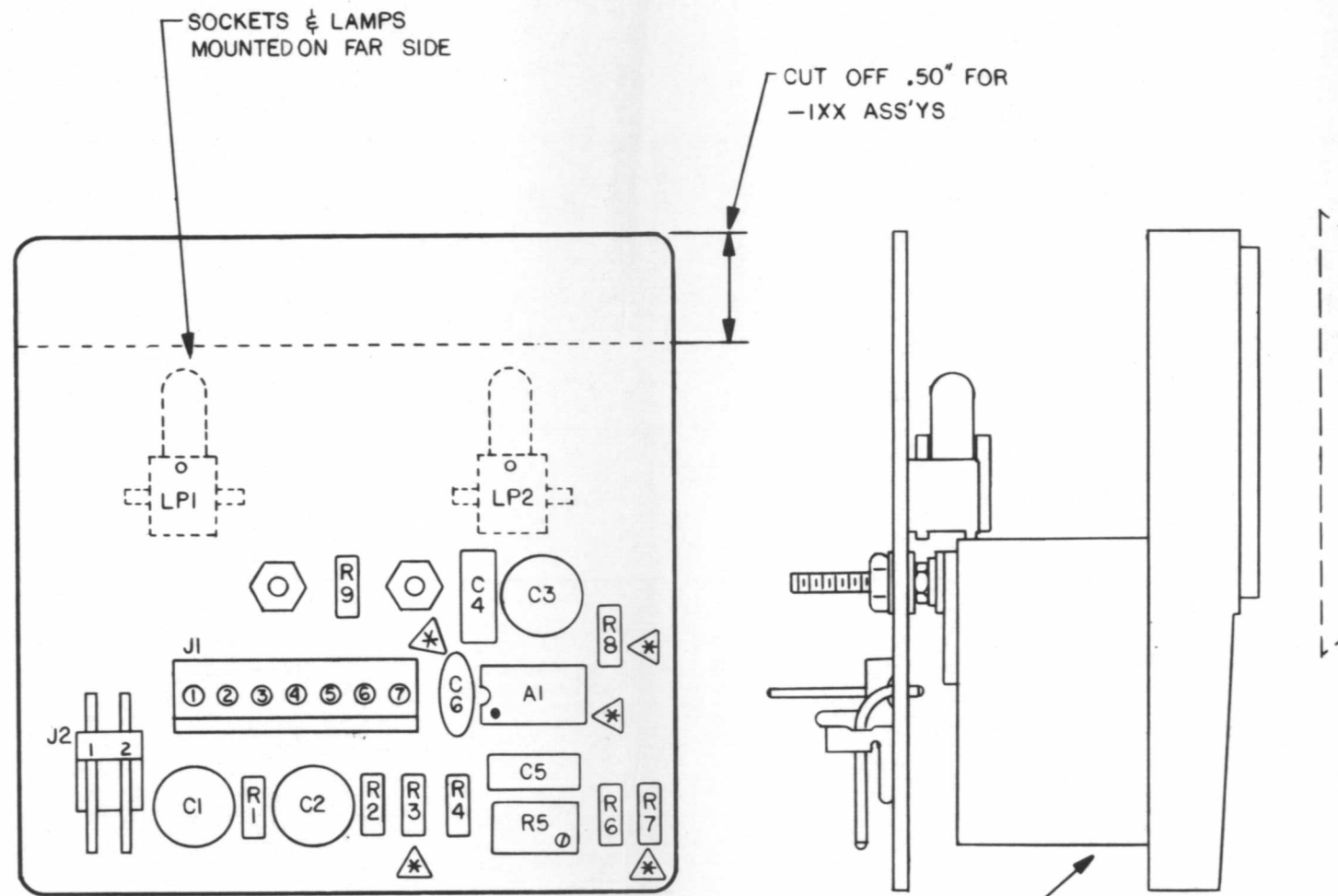
1. ALL RESISTORS ARE IN OHMS, 5%, UNLESS SPECIFIED OTHERWISE
2. ALL CAPACITOR ARE IN  $\mu$ fd UNLESS SPECIFIED OTHERWISE
3. FOR DRILL SHEET SEE DWG#104314 FOR COMPONENT LAYOUT SEE DWG#104315 FOR BILL OF MAT'L SEE DWG.#BM104315

10 1982

ASS'Y	CAL. RANGE (0w)	R3	R7,R8	A1	C6	METER
-001	-2 TO +10dBu	2.4K	332K	LM301AN	5pf	3 1/2"
-002	-12 TO 0dBu	2.7K	1M	LM301AN	3.3pf	1-132-0012
-003	-22 TO -10dBu	2.4K	3.3M, 5%	LM318N	—	—
-101	-2 TO +10dBu	2.4K	332K	LM301AN	5pf	2 1/2"
-102	-12 TO 0dBu	2.7K	1M	LM301AN	3.3pf	1-132-0011
-103	-22 TO -10dBu	2.4K	3.3M, 5%	LM318N	—	—

This print discloses matter proprietary to ADM Technology, Inc. It is furnished with the understanding that it will be used only as a record and not for reproduction or to manufacture or procure the manufacture of the product, parts, or systems shown schematically or otherwise on the print. Also, that the information given thereon shall not be divulged in any manner inimical to the interest of ADM Technology, Inc.

TOLERANCES (PLUS & MINUS)		ELECTRICAL CK		DATE		SCALE	
.XX	.010	DR	8/20/81	DATE	DATE	DATE	DATE
.XXX	.005	MECHANICAL CK	DATE	DATE	DATE	DATE	DATE
ANGLE	1°	DRAWN BY	DATE	DATE	DATE	DATE	DATE
(SHOWN AS NOTED)		SK	6-17-81	DATE	DATE	DATE	DATE
				ADM TECHNOLOGY INC. METER & BUFFER SCHEMATIC			
				M-5530		104316	
				REV A			



REF DESIG	LAST USED	NOT USED
A	A1	—
C	C6	—
J	J2	—
LP	LP2	—
M	M	—
R	R9	—

DEC 10 1982

**NOTES:**

- FOR DRILL SHT SEE DWG#104314  
FOR SCHEMATIC SEE DWG#104316  
FOR BILL OF MATERIAL SEE DWG#BM104315

ASS'Y	CAL RANGE (Ovu)	R3	R7,R8	A1	CG	METER
-001	-2 TO +10dBu	2.4K	332K	LM301AN	5pf	3 1/2" I-132-0012
-002	-12 TO 0dBu	2.7K	1M	LM301AN	3.3pf	
-003	-22 TO -10dBu	2.4K	3.3M, 5%	LM318N	—	
-101	-2 TO +10dBu	2.4K	332K	LM301AN	5pf	2 1/2" I-132-0011
-102	-12 TO 0dBu	2.7K	1M	LM301AN	3.3pf	
-103	-22 TO -10dBu	2.4K	3.3M 5%	LM318N	—	

This print discloses matter proprietary to ADM Technology, Inc. It is furnished with the understanding that it will be used only as a record and not for reproduction or to manufacture or procure the manufacture of the product, parts, or systems shown schematically or otherwise on the print. Also, that the information given thereon shall not be divulged in any manner inimical to the interest of ADM Technology, Inc.

SCALE 2X	DATE	SYM	DR	CK	DCN OR REVISION
PROJ APPR	DATE				
SALES APPR	DATE				
ELECTRICAL CK	DATE	8/20/81			
MECHANICAL CK	DATE				
DRAWN BY	DATE	8-17-81			
<b>ADM TECHNOLOGY INC.</b>					
TITLE METER & BUFFER COMPONENT LAYOUT					
M-5530			DRAWING NO. 104315		REV. A

TOLERANCES  
(PLUS & MINUS)  
.XX .010  
.XXX .005  
ANGLE 1°  
(EXCEPT AS NOTED)